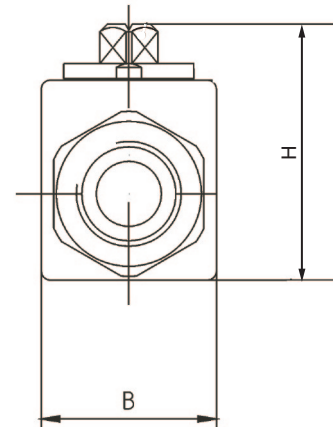
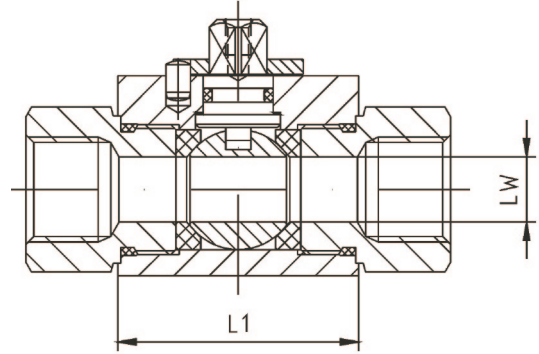




Ball Valves - 2 Way

OB2 SERIES ISOLATION VALVES

- 'Maintenance free' isolating (2way) ball valves with preloaded ball seats to prevent internal leakage
- The full steel body incorporates a nickel plated steel ball and stem. The ball seal is supplied standard in polyamide whilst the stem is nitrile
- Units for corrosive service, high pressure and non-BSP connections are available upon request including NPT, SAE, manifold mount



2 WAY

part number	DN	LW	thread	pressure (bar)	B	H	L1	mass (kg)
OB20-06-0600A-00-50	6	6	G $\frac{1}{4}$	500	26	43.5	36	0.35
OB20-10-1000A-00-50	10	10	G $\frac{3}{8}$	500	32	49	43	0.5
OB20-13-1300A-00-50	13	13	G $\frac{1}{2}$	500	35	51	48	0.65
OB20-20-2000A-00-40	20	20	G $\frac{3}{4}$	400	49	73	62	1.5
OB20-25-2400A-00-35	25	24	G1	350	60	76	66	2
OB20-32-2400A-00-35	32	24	G1 $\frac{1}{4}$	350	60	76	66	2.1
OB20-32-3200A-00-42	32	32	G1 $\frac{1}{4}$	420	76	104	80	3.2
OB20-40-3800A-00-42	40	38	G1 $\frac{1}{2}$	420	84	111	85	4
OB20-50-4800A-00-42	50	48	G2	420	100	130	100	5.9