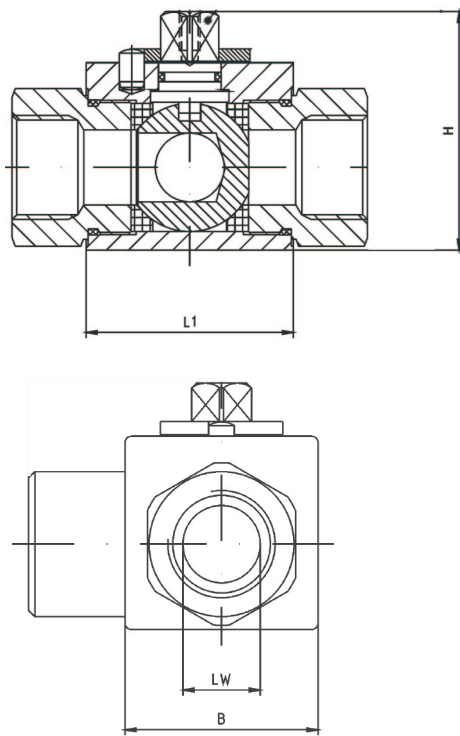


Ball Valves - 3 Way

OB3 SERIES CHANGEOVER/ISOLATION VALVES



- 'Maintenance free' changeover/isolating (3way) ball valves with preloaded ball seats to prevent internal leakage
- The full steel body incorporates a nickel plated steel ball and stem. The ball seal is supplied standard in polyamide whilst the stem seal is nitrile
- Units for corrosive service, high pressure and non-BSP connections are available upon request including NPT, SAE, 3-way and manifold mount
- Replace * in part numbers below with code for required porting
- ** - not normally stocked

3 WAY

part number	DN	LW	thread	pressure (bar)	B	H	L1	mass (kg)
OB3*-06-0600A-00-40	6	6	G¼	400	26	43.5	36	0.4
OB3*-10-0900A-00-40	10	9	G3/8	350	32	49	43	0.55
OB3*-13-1100A-00-35	13	11	G½	350	35	51	48	0.7
OB3*-20-1800A-00-35	20	18	G¾	350	49	73	61	1.55
OB3*-25-2200A-00-35	25	22	G1	350	60	76	65	2.1
OB3*-32-3000A-00-35	32	30	G1¼	350	76	104	80	3.4
OB3*-40-3500A-00-35	40	35	G½	350	83	111	85	4.2
OB3*-50-4400A-00-35	50	44	G2	350	100	130	100	6.1