

**OLAER
A-LOC
COOLERS**

COOLING SYSTEM

Olaer A-LOC with integrated circulation pump for industrial hydraulic systems



OLAER A-LOC FOR OPTIMUM EFFICIENCY

Olaer A-LOC is one of the most reliable and efficient cooling system for oil cooling on the market. The oil in your hydraulic system will operate with the ideal oil viscosity, providing extended service life and dependability for your entire hydraulic system.



- Cooler matrix with low pressure drop and high cooling capacity
- Three-phase AC-motor.
- Cooling capacity up to 45 kW at ETD 40°C (40°C difference in inlet temperature oil/air).
- The pump can be installed turned in steps of 90° on the electromotor.

Olaer A-LOC cooling system consists of a cooler matrix, a fan and a pump, The cooling system is fitted with one electromotor only minimising the electric installation, providing ease of assembly at a low cost of installation.

Ease of installation

During the development of Olaer A-LOC, cooling capacity tests, analyses of life cycle and structural strength have been made in our laboratory. All components have been thoroughly selected for optimum performance. Compact design and ease of mounting facilitates installation in small locations. The cooling system is supplied fit for installation in your system.

The Olaer A-LOC can be fitted with a filter unit for oil cleaning, providing extended oil durability, hence extended hydraulic system life. Functions such as pumping, cooling and filtering in one compact package assures optimal performance at low cost.

Reliability in operation and extended life

Olaer A-LOC cooling system provides proven reliability, measured in lower maintenance costs, increased system effici-

ency and expanded productivity. A controlled oil temperature will result in extended component life.

For flexibility of selection and application, Olaer A-LOC standard range is available in capacities from 2.8 kW to 45 kW at ETD 40°C and oil flows from 20 l/min to 80 l/min.

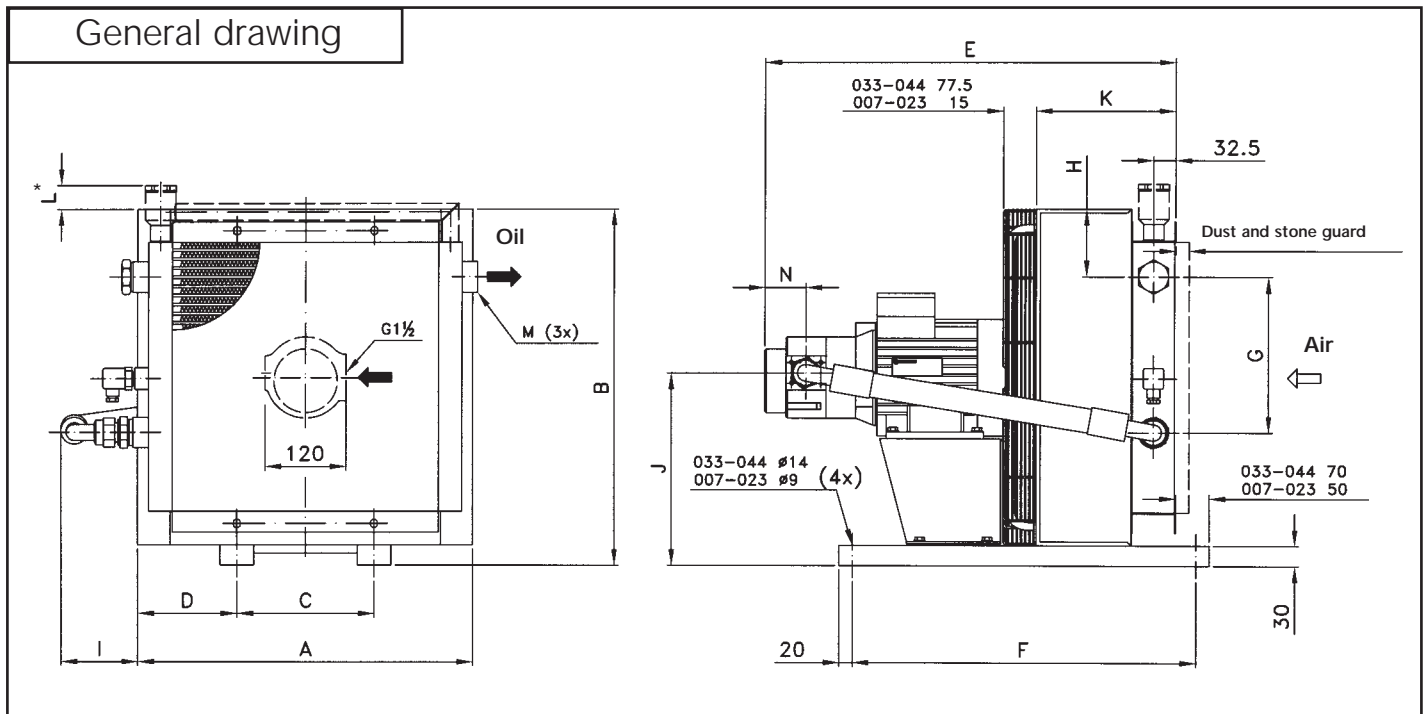
Fitted with Olaer QPM quiet low-pressure pump, the system will operate with a uniform oil flow pattern. Pulsations and pressure spike problems from the hydraulic system are eliminated, providing extended system service life.

The extremely high heat transfer capacity, the dependability in operation and the fact that Olaer A-LOC provides long-lasting oil durability is significant for this cooling system.

Calculate your cooling requirement

Olaer has developed a calculation program where, by entering your basic data, you can calculate your cooling requirement and select the correct cooling system. The program is available from you local Olaer company.

The Olaer Group is represented worldwide providing you with support wherever you are located.



Dimensions

Type

Type	A	B	C	D	E	F	G	H	I	J	K	L*	M	N
A-LOC 004-4-D-A	267	287	134	66	500	420	80	77	130	169	163	63	G1	62
A-LOC 007-4-D-A	365	395	203	81	526	510	160	103	112	212	190	42	G1	62
A-LOC 007-4-D-B	365	395	203	81	539	510	160	103	112	212	190	42	G1	75
A-LOC 007-4-D-C	365	395	203	81	586	510	160	103	112	212	190	42	G1	87
A-LOC 007-4-D-D	365	395	203	81	599	510	160	103	112	212	190	42	G1	100
A-LOC 011-4-D-A	440	470	203	119	551	510	230	106	110	250	215	39	G1	62
A-LOC 011-4-D-B	440	470	203	119	564	510	230	106	110	250	215	39	G1	75
A-LOC 011-6-D-C	440	470	203	119	611	510	230	106	110	250	215	39	G1	87
A-LOC 011-6-D-D	440	470	203	119	624	510	230	106	110	250	215	39	G1	100
A-LOC 011-4-D-C	440	470	203	119	611	510	230	106	110	250	215	39	G1	87
A-LOC 011-4-D-D	440	470	203	119	624	510	230	106	110	250	215	39	G1	100
A-LOC 016-4-D-A	496	526	203	147	610	510	230	100	114	278	240	45	G1	62
A-LOC 016-4-D-B	496	526	203	147	623	510	230	100	114	278	240	45	G1	75
A-LOC 016-6-D-C	496	526	203	147	636	510	230	100	114	278	240	45	G1	87
A-LOC 016-6-D-D	496	526	203	147	649	510	230	100	114	278	240	45	G1	100
A-LOC 016-4-D-C	496	526	203	147	636	510	230	100	114	278	240	45	G1	87
A-LOC 016-4-D-D	496	526	203	147	649	510	230	100	114	278	240	45	G1	100
A-LOC 023-4-D-B	580	610	356	112	648	610	305	101	112	320	265	44	G1	75
A-LOC 023-6-D-C	580	610	356	112	661	610	305	101	112	320	265	44	G1	87
A-LOC 023-6-D-D	580	610	356	112	717	610	305	101	112	320	265	44	G1	100
A-LOC 023-4-D-C	580	610	356	112	704	610	305	101	112	320	265	44	G1	87
A-LOC 023-4-D-D	580	610	356	112	717	610	305	101	112	320	265	44	G1	100
A-LOC 033-6-A-D	692	722	356	168	754	610	406	103	101	376	240	43	G1 1/4	100
A-LOC 033-4-A-C	692	722	356	168	722	610	406	103	101	376	240	43	G1 1/4	87
A-LOC 033-4-A-D	692	722	356	168	735	610	406	103	101	376	240	43	G1 1/4	100
A-LOC 044-6-A-D	692	866	356	168	779	610	584	87	101	448	265	59	G1 1/4	100
A-LOC 044-4-A-C	692	866	356	168	746	610	584	87	101	448	265	59	G1 1/4	87
A-LOC 044-4-A-D	692	866	356	168	759	610	584	87	101	448	265	59	G1 1/4	100

* "L" when a by-pass valve type S is used

- Olaer A-LOC, designed for use with synthetic oils, vegetable oils and mineral oil type HL/HLP according to DIN 51524. Maximum oil temperature 100°C.
- Maximum negative pressure in suction line 0,4 bar with oil-filled pump.

Technical specification, cooler matrix

Maximum static working pressure	21 bar
Dynamic working pressure	14 bar. Tested acc. to ISO/DIS 10771-1
Heat transfer tolerance	±6 %

Technical specification, three phase-motor

Three-phase asynchronous motor acc. to IEC 34-1, IEC 72 to DIN 57530/VDE 0530	
Rated voltage: 50 Hz 220-240V/380-420V or 60 Hz 255-290V/440-480V	
Insulation class	F
Rise in temperature	B
Protection standard	IP 55

Material

Pump housing/Matrix	Aluminium
Fan blades/hub	Glass fibre reinforced polypropylene/aluminium
Fan housing	Steel
Fan guard	Steel
Other parts	Steel
Surface treatment	Electrostatic powder coating

Consult your local Olaer company for use

- with oil temperatures >100°C
- with oil viscosity > 100 cSt/other fluids
- in aggressive environments
- ambients, rich in particles
- at high altitudes

Data at 50 Hz

Type	Nom. oil flow (l/min)	Cooling capacity (kW/°C)	Cooling capacity in kW at ETD 40°C	Acoustic pressure L _{pA} (dB(A)) 1m**	Acoustic power L _{WA} (dB(A))	Air flow (m ³ /sec)	Number of poles - Motor Capacity, kW*	Fan diameter (mm)	Weight approx. kg
A-LOC 004-4-D-A	20	0,07	2,7	57	67	0,058	4-0,75	200	23
A-LOC 007-4-D-A	20	0,13	5,2	64	73	0,29	4-0,75	325	30
A-LOC 007-4-D-B	40	0,17	6,8	64	73	0,29	4-0,75	325	30
A-LOC 007-4-D-C	60	0,18	7,2	65	74	0,29	4-1,50	325	36
A-LOC 007-4-D-D	80	0,18	7,2	65	74	0,29	4-1,50	325	36
A-LOC 011-4-D-A	20	0,19	7,6	70	79	0,61	4-0,75	400	34
A-LOC 011-4-D-B	40	0,26	10,4	70	79	0,61	4-0,75	400	34
A-LOC 011-6-D-C	40	0,19	7,6	61	70	0,37	6-1,10	400	40
A-LOC 011-6-D-D	55	0,22	8,8	61	70	0,37	6-1,10	400	40
A-LOC 011-4-D-C	60	0,29	11,6	70	79	0,61	4-1,50	400	40
A-LOC 011-4-D-D	80	0,30	12,0	70	79	0,61	4-1,50	400	40
A-LOC 016-4-D-A	20	0,26	10,4	74	83	0,96	4-1,50	456	45
A-LOC 016-4-D-B	40	0,38	15,2	74	83	0,96	4-1,50	456	45
A-LOC 016-6-D-C	40	0,31	12,4	64	73	0,58	6-1,10	456	45
A-LOC 016-6-D-D	55	0,35	14,0	64	73	0,58	6-1,10	456	45
A-LOC 016-4-D-C	60	0,45	18,0	74	83	0,96	4-1,50	456	45
A-LOC 016-4-D-D	80	0,49	19,6	74	83	0,96	4-1,50	456	45
A-LOC 023-4-D-B	40	0,52	20,8	77	87	1,50	4-1,50	538	53
A-LOC 023-6-D-C	40	0,42	16,8	67	77	0,92	6-1,10	538	53
A-LOC 023-6-D-D	55	0,46	18,4	67	77	0,92	6-1,50	538	53
A-LOC 023-4-D-C	60	0,60	24,0	77	87	1,50	4-2,20	538	62
A-LOC 023-4-D-D	80	0,66	26,4	77	87	1,50	4-2,20	538	62
A-LOC 033-6-A-D	55	0,65	26,0	74	84	1,52	6-2,20	650	92
A-LOC 033-4-A-C	60	0,80	32,0	85	95	2,41	4-3,00	650	76
A-LOC 033-4-A-D	80	0,87	34,8	85	95	2,41	4-3,00	650	76
A-LOC 044-6-A-D	55	0,85	34,0	77	87	1,89	6-2,20	650	98
A-LOC 044-4-A-C	60	1,00	40,0	86	96	2,99	4-3,00	650	85
A-LOC 044-4-A-D	80	1,12	44,8	86	96	2,99	4-3,00	650	85

* Specified electromotors are calculated for max. working pressure 6 bar at 125 cSt and 50 Hz; 4 bar at 125 cSt and 60 Hz. For working pressures above this, consult your local Olaer company for higher rated electromotors.

** Noise level tolerance ± 3 dB(A).

Ordering key for Olaer A-LOC cooling system.
When ordering every item should be specified.

A-LOC-XXX-X-X-X-X-XX-XXX-X-XXX-X
1 2 3 4 5 6 7 8 9 10 11

1. Cooling system with AC-motor and circulation pump = A-LOC

2. Cooler size		
004	016	044
007	023	
011	033	

4. Voltage and frequency	
Three-phase, 230/400V, 50 Hz	= A
Three-phase, 275/480V, 60 Hz	= B
Three-phase, 230/400V 50 Hz, 275/480V 60 Hz	= D
Three-phase, 500V, 50 Hz	= E
Three-phase, 400/690V, 50 Hz	= F
Motor for special voltage (in text en clair)	= X

6. By-pass valve, pump	
Without by-pass valve	= 0
Built-in by-pass valve, 5 bar	= L
Built-in by-pass valve, 10 bar	= H

8. Cooler matrix	
Standard	= 000
Two pass	= T00
Built-in, pressure controlled by-pass valve, single-pass	
2 bar	= S20
5 bar	= S50
8 bar	= S80
Built-in, pressure controlled by-pass valve, two-pass*	
2 bar	= T20
5 bar	= T50
8 bar	= T80
Built-in, temperature and pressure controlled by-pass, single-pass	
50°C, 2,2 bar	= S25
60°C, 2,2 bar	= S26
70°C, 2,2 bar	= S27
90°C, 2,2 bar	= S29
Built-in, temperature and pressure controlled by-pass, two-pass*	
50°C, 2,2 bar	= T25
60°C, 2,2 bar	= T26
70°C, 2,2 bar	= T27
90°C, 2,2 bar	= T29

* Not available for Olaer A-LOC 004

11. Standard/special	
Standard	= 0
Special	= Z

3. Number of poles, motor	
4-pole	= 4
6-pole	= 6

5. Pump size	
Displacement 15 cm ³ /r	= A
Displacement 30 cm ³ /r	= B
Displacement 45 cm ³ /r	= C
Displacement 60 cm ³ /r	= D
Special	= X

7. Thermo contact (For temperature warning. Not for electromotor control)	
Without thermo contact	= 00
40°C	= 40
50°C	= 50
60°C	= 60
70°C	= 70
80°C	= 80
90°C	= 90

9. Matrix guard	
Without guard	= 0
Stone guard	= S
Dust guard	= D
Dust and stone guard	= P

10. Filter and filter housing	
Specify housing AND element	
Example: PI 2015-57 with SMX 6 = F26	
Without Filter	= 000
Filter housing	
PI 2005-57	= F0
PI 2005-58	= F5
PI 2008-57	= F1
PI 2008-58	= F6
PI 2015-57	= F2
PI 2015-58	= F7
Filter Element	
MIC 10, nominal 10µ	= 1
MIC 25, nominal 25µ	= 4
SMX 3, absolute 3µ	= 3
SMX 6, absolute 6µ	= 6
SMX 10, absolute 10µ	= 0
SMX 25, absolute 25µ	= 5

Example: A-LOC-011-6-A-C-L-50-S20-D-E-0

For further information and latest modifications, please enter our web site www.olaer.com.au
To facilitate selection of air oil cooler, order Olaer's calculation programme.

When a special cooler is required, please specify product, components, performance, dimensions etc, in text en clair. Price and time of delivery available on request.



OLAER A-LAC

An air oil cooler designed for industrial applications fitted with single-phase or three-phase motor. The components have been developed in our laboratory for optimum performance.
Max. cooling capacity 130 kW at ETD 40°C.



OLAER A-LDC

An air oil cooler ideal for mobile applications because of its compact design and light weight, fitted with a 12V or a 24V DC motor. During the development of the A-LDC series of air oil coolers we developed also coolers for small cooling requirements.
Max. cooling capacity 30 kW at ETD 40°C.



OLAER A-LHC

An air oil cooler fitted with a hydraulic motor for heavy duty applications with high cooling requirement. The Olaer A-LHC air oil coolers are designed for industrial as well as mobile applications.
Max. cooling capacity 130 kW at ETD 40°C.



OLAER A-LOC

An extremely reliable air oil cooling system consisting of a matrix, a fan and a pump. Fitted with one electric motor only, this cooling system is easy to install and at a very low cost. The Olaer A-LOC cooling system is supplied fit for installation in your system.
Max. cooling capacity 45 kW at ETD 40°C.



THE OLAER GROUP AROUND THE WORLD: AUSTRALIA Olaer FCH. Tel: +61 2 9981 6888. AUSTRIA Olaer Austria GmbH. Tel: +43 7229 80306. BELGIUM S.A. Olaer Benelux, Tel: +32 2 466 15 15. CZECHIA Olaer CZ s.r.o. Tel: +42 5 47125 601-8. DENMARK Oiltech DK. Tel: +45 86 69 20 38. FINLAND Oiltech Hydraulics OY. Tel: +358 9 413 755 00. FRANCE Olaer Industries S.A. Tel: +33 1 41 19 17 00. GERMANY Olaer Industries GmbH. Tel: +49 6842 9204-0. GREAT BRITAIN FCH Ltd. Tel: +44 1244 535515. INDIA FCH India. Tel: +91 802 6533587. ITALY Olaer Italiana S.p.A. Tel: +39 011 991 85 11. KOREA Hyundai Olaer Hydraulic Co. Tel: +82 31 499 0897. NETHERLANDS Olaer Nederland B.V. Tel: +31 76 5412453. NORWAY Oiltech AS. Tel: +47 64 91 11 80. POLAND Oiltech Polska. Tel: +48 22 6738162. SCHWIZERLAND Olaer (Schweiz) AG. Tel: +41 26 492 70 00. SOUTH AFRICA FCH c/o Rolton Products CC. Tel: +27 11 474 3095. SPAIN Olaer-Oiltech Iberica SAU. Tel: +34 933 368 900. SWEDEN Oiltech AB. Tel: +46 8 636 07 00. USA Oil Air Hydraulics Inc. Tel: +1 713 937 89 00.

Please note: Being a renowned manufacturer of cooling systems for hydraulics, Olaer is constantly seeking ways to improve the specification and design of its products and alterations take place continually. The products in this brochure may be updated, altered in any way or discontinued, without prior notice.