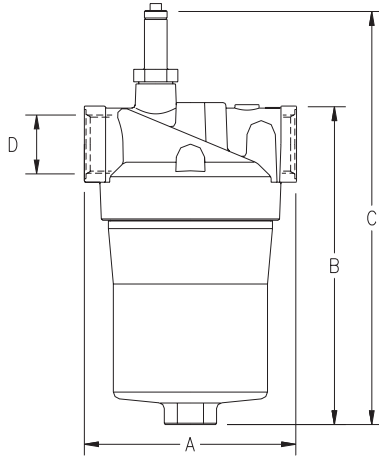




Low Pressure Inline

PI 200 SERIES



- 50 & 80 l/min units rated for operating pressure of 60 bar. 150, 300 & 450 l/min units rated for operating pressure of 25 bar
- Low pressure drop, high retention rate elements
- Supplied standard with visual clogging indicator
- Modular and compact design with BSPP porting
- Suitable for use with HFA, HFB & HFC fluids

part number	part number	part number	part number	part number	part number
50 l/min	A = 109mm	B = 153.5mm	C = 232 mm	D = G¹/₂	Mass = 0.9 kg
PI 2005 - 57				PI 2005 - 68	
PI 2005 - 57/MIC 10		PI 2005 - 57 SMX 3		PI 2005 - 68 SMX VST 3	
PI 2005 - 57/MIC 25		PI 2005 - 57 SMX 6		PI 2005 - 68 SMX VST 6	
PI 2005 - 57/DRG 40		PI 2005 - 57 SMX 10		PI 2005 - 68 SMX VST 10	
PI 2005 - 57/DRG 60		PI 2005 - 57 SMX 25		PI 2005 - 68 SMX VST 25	
80 l/min	A = 95 mm	B = 229.5 mm	C = 308 mm	D = G³/₄	Mass = 1.0 kg
PI 2008 - 57				PI 2008 - 68	
PI 2008 - 57 MIC 10		PI 2008 - 57 SMX 3		PI 2008 - 68 SMX VST 3	
PI 2008 - 57 MIC 25		PI 2008 - 57 SMX 6		PI 2008 - 68 SMX VST 6	
PI 2008 - 57 DRG 40		PI 2008 - 57 SMX 10		PI 2008 - 68 SMX VST 10	
PI 2008 - 57 DRG 60		PI 2008 - 57 SMX 25		PI 2008 - 68 SMX VST 25	
150 l/min	A = 164 mm	B = 230.5 mm	C = 304 mm	D = G1	Mass = 2.1 kg
PI 2015 - 57				PI 2015 - 68	
PI 2015 - 57 MIC 10		PI 2015 - 57 SMX 3		PI 2015 - 68 SMX VST 3	
PI 2015 - 57 MIC 25		PI 2015 - 57 SMX 6		PI 2015 - 68 SMX VST 6	
PI 2015 - 57 DRG 40		PI 2015 - 57 SMX 10		PI 2015 - 68 SMX VST 10	
PI 2015 - 57 DRG 60		PI 2015 - 57 SMX 25		PI 2015 - 68 SMX VST 25	
300 l/min	A = 150 mm	B = 346.5 mm	C = 360 mm	D = G 1¹/₄	Mass = 2.4 kg
PI 2030 - 57				PI 2030 - 68	
PI 2030 - 57 MIC 10		PI 2030 - 57 SMX 3		PI 2030 - 68 SMX VST 3	
PI 2030 - 57 MIC 25		PI 2030 - 57 SMX 6		PI 2030 - 68 SMX VST 6	
PI 2030 - 57 DRG 40		PI 2030 - 57 SMX 10		PI 2030 - 68 SMX VST 10	
PI 2030 - 57 DRG 60		PI 2030 - 57 SMX 25		PI 2030 - 68 SMX VST 25	
450 l/min	A = 150 mm	B = 461.5 mm	C = 535 mm	D = G1¹/₂	Mass = 6.5 kg
PI 2045 - 57				PI 2045 - 68	
PI 2045 - 57 MIC 10		PI 2045 - 57 SMX 3		PI 2045 - 68 SMX VST 3	
PI 2045 - 57 MIC 25		PI 2045 - 57 SMX 6		PI 2045 - 68 SMX VST 6	
PI 2045 - 57 DRG 40		PI 2045 - 57 SMX 10		PI 2045 - 68 SMX VST 10	
PI 2045 - 57 DRG 60		PI 2045 - 57 SMX 25		PI 2045 - 68 SMX VST 25	

filter assemblies filter option

description

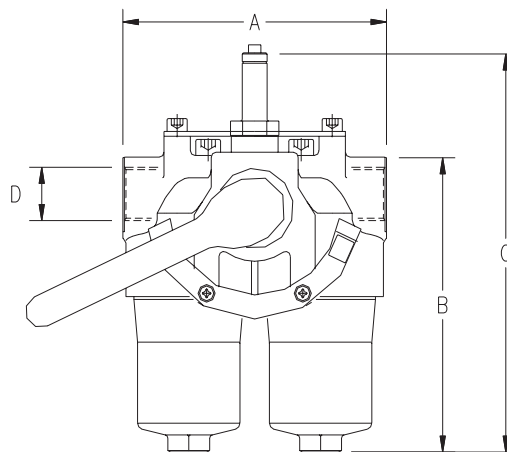
-58 or -69

Optional hirshmann connector to modify visual indicator into visual/electrical indicator

Low Pressure Duplex Inline

PI 210 SERIES

- Ergonomic changeover function, with safety lock and pressure compensation, allowing continual system operation, even during servicing or cartridge replacement
- Units rated for operating pressure of 25 bar - smaller units at 60 bar
- BSPP or SAE 3000 psi flanged porting (add/FL to part number for flanged option. eg. PI 2105-68/FL SMX 10)
- Visual clogging indicator supplied as standard on all units



part number		part number		part number	
50 l/min	A = 168mm	B = 200mm	C = 258 mm	D = G1	Mass = 2.6 kg
PI 2105 - 57				PI 2105 - 68	
PI 2105 - 57 MIC 10		PI 2105 - 57 SMX 3		PI 2105 - 68 SMX VST 3	
PI 2105 - 57 MIC 25		PI 2105 - 57 SMX 6		PI 2105 - 68 SMX VST 6	
PI 2105 - 57 DRG 40		PI 2105 - 57 SMX 10		PI 2105 - 68 SMX VST 10	
PI 2105 - 57 DRG 60		PI 2105 - 57 SMX 25		PI 2105 - 68 SMX VST 25	
80 l/min	A = 168 mm	B = 276 mm	C = 334 mm	D = G1	Mass = 2.9 kg
PI 2108 - 57				PI 2108 - 68	
PI 2108 - 57 MIC 10		PI 2108 - 57 SMX 3		PI 2108 - 68 SMX VST 3	
PI 2108 - 57 MIC 25		PI 2108 - 57 SMX 6		PI 2108 - 68 SMX VST 6	
PI 2108 - 57 DRG 40		PI 2108 - 57 SMX 10		PI 2108 - 68 SMX VST 10	
PI 2108 - 57 DRG 60		PI 2108 - 57 SMX 25		PI 2108 - 68 SMX VST 25	
150 l/min	A = 280 mm	B = 269 mm	C = 327 mm	D = G1½	Mass = 7 kg
PI 2115 - 57				PI 2115 - 68	
PI 2115 - 57 MIC 10		PI 2115 - 57 SMX 3		PI 2115 - 68 SMX VST 3	
PI 2115 - 57 MIC 25		PI 2115 - 57 SMX 6		PI 2115 - 68 SMX VST 6	
PI 2115 - 57 DRG 40		PI 2115 - 57 SMX 10		PI 2115 - 68 SMX VST 10	
PI 2115 - 57 DRG 60		PI 2115 - 57 SMX 25		PI 2115 - 68 SMX VST 25	
300 l/min	A = 280 mm	B = 386 mm	C = 444 mm	D = G 1½	Mass = 8 kg
PI 2130 - 57				PI 2130 - 68	
PI 2130 - 57 MIC 10		PI 2130 - 57 SMX 3		PI 2130 - 68 SMX VST 3	
PI 2130 - 57 MIC 25		PI 2130 - 57 SMX 6		PI 2130 - 68 SMX VST 6	
PI 2130 - 57 DRG 40		PI 2130 - 57 SMX 10		PI 2130 - 68 SMX VST 10	
PI 2130 - 57 DRG 60		PI 2130 - 57 SMX 25		PI 2130 - 68 SMX VST 25	
450 l/min	A = 280 mm	B = 501 mm	C = 559 mm	D = G1½	Mass = 16 kg
PI 2145 - 57				PI 2145 - 68	
PI 2145 - 57 MIC 10		PI 2145 - 57 SMX 3		PI 2145 - 68 SMX VST 3	
PI 2145 - 57 MIC 25		PI 2145 - 57 SMX 6		PI 2145 - 68 SMX VST 6	
PI 2145 - 57 DRG 40		PI 2145 - 57 SMX 10		PI 2145 - 68 SMX VST 10	
PI 2145 - 57 DRG 60		PI 2145 - 57 SMX 25		PI 2145 - 68 SMX VST 25	

filter assemblies
filter option

description

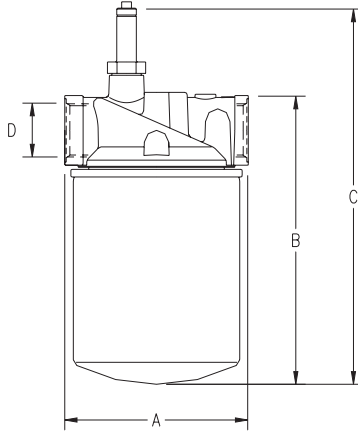
-58 or -69

Optional hirshmann connector to modify visual indicator into visual/electrical indicator



Low Pressure Spin-on Inline

PI 220 & PI 270 SERIES



- Spin on cartridge filter assemblies rated to 10 bar
- PI 270 series incorporates dual-head high flow capabilities
- High retention rate, low pressure drop cartridges
- Supplied with visual clogging indicator and BSPP porting as standard

part number	list price		part number	list price	
20 l/min	A = 109 mm	B = 162.5 mm	C = 241 mm	D = G¹/₂	Mass = 1.5 kg
PI 2202 - 57			PI 2202 - 68		
PI 2202 - 57 MIC 10			PI 2202 - 68 MIC 10		
PI 2202 - 57 SMX 10			PI 2202 - 68 SMX 10		
30 l/min	A = 109 mm	B = 182.5 mm	C = 261 mm	D = G¹/₂	Mass = 1.75 kg
PI 2203 - 57			PI 2203 - 68		
PI 2203 - 57 MIC 10			PI 2203 - 68 MIC 10		
PI 2203 - 57 SMX 10			PI 2203 - 68 SMX 10		
60 l/min	A = 95 mm	B = 249.5 mm	C = 328 mm	D = G³/₄	Mass = 2.25 kg
PI 2205 - 57			PI 2205 - 68		
PI 2205 - 57 MIC 10			PI 2205 - 68 MIC 10		
PI 2205 - 57 SMX 10			PI 2205 - 68 SMX 10		
100 l/min	A = 150 mm	B = 228 mm	C = 302 mm	D = G¹/₄	Mass = 3.9 kg
PI 2210 - 57			PI 2210 - 68		
PI 2210 - 57 MIC 10			PI 2210 - 68 MIC 10		
PI 2210 - 57 SMX 10			PI 2210 - 68 SMX 10		
140 l/min	A = 150 mm	B = 368.5 mm	C = 442 mm	D = G¹/₄	Mass = 5.3 kg
PI 2214 - 57			PI 2214 - 68		
PI 2214 - 57 MIC 10			PI 2214 - 68 MIC 10		
PI 2214 - 57 SMX 10			PI 2214 - 68 SMX 10		
250 l/min	A = 300 mm	B = 240 mm	C = 284 mm	D = G¹/₂	Mass = 3.7 kg
PI 2720 - 57			PI 2720 - 68		
PI 2720 - 57 MIC 10			PI 2720 - 68 MIC 10		
PI 2720 - 57 SMX 10			PI 2720 - 68 SMX 10		
280 l/min	A = 300 mm	B = 377 mm	C = 421 mm	D = G¹/₂	Mass = 4 kg
PI 2728 - 57			PI 2728 - 68		
PI 2728 - 57 MIC 10			PI 2728 - 68 MIC 10		
PI 2728 - 57 SMX 10			PI 2728 - 68 SMX 10		

FILTER ASSEMBLIES

filter assemblies filter option	description
-58 or -69	Optional hirshmann connector to modify visual indicator into visual/electrical indicator