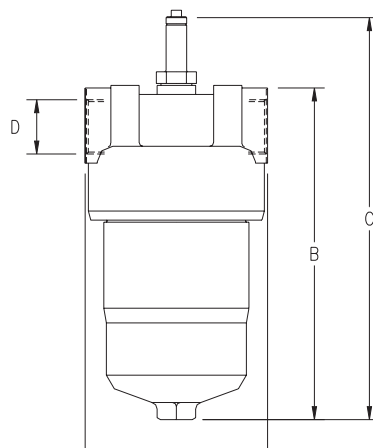


Medium/High Pressure Inline

PI 360 SERIES

- 50, 80 & 110 l/min units rated for operating pressure of 315 bar . 150, 300 & 450 l/min units rated for operating pressure of 210 bar
- Visual indicator supplied as standard on non by-passed filters, optional on by-passed models. All models with BSPP porting
- Low pressure drop, high retention rate elements



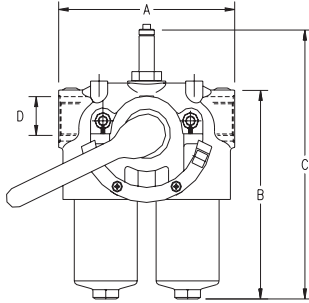
part number	part number	part number
50 l/min	A = 89.5 mm	B = 187mm
PI 3605 - 11	PI 3605 - 11 SMX 3	PI 3605 - 14
PI 3605 - 11 MIC 10	PI 3605 - 11 SMX 6	PI 3605 - 14 SMX VST 3
PI 3605 - 11 MIC 25	PI 3605 - 11 SMX 10	PI 3605 - 14 SMX VST 6
PI 3605 - 11 DRG 40	PI 3605 - 11 SMX 25	PI 3605 - 14 SMX VST 10
PI 3605 - 11 DRG 60		PI 3605 - 14 SMX VST 25
80 l/min	A = 89.5 mm	B = 265 mm
PI 3608 - 11	PI 3608 - 11 SMX 3	PI 3608 - 14
PI 3608 - 11 MIC 10	PI 3608 - 11 SMX 6	PI 3608 - 14 SMX VST 3
PI 3608 - 11 MIC 25	PI 3608 - 11 SMX 10	PI 3608 - 14 SMX VST 6
PI 3608 - 11 DRG 40	PI 3608 - 11 SMX 25	PI 3608 - 14 SMX VST 10
PI 3608 - 11 DRG 60		PI 3608 - 14 SMX VST 25
110 l/min	A = 89.5 mm	B = 341 mm
PI 3611 - 11	PI 3611 - 11 SMX 3	PI 3611 - 14
PI 3611 - 11 MIC 10	PI 3611 - 11 SMX 6	PI 3611 - 14 SMX VST 3
PI 3611 - 11 MIC 25	PI 3611 - 11 SMX 10	PI 3611 - 14 SMX VST 6
PI 3611 - 11 DRG 40	PI 3611 - 11 SMX 25	PI 3611 - 14 SMX VST 10
PI 3611 - 11 DRG 60		PI 3611 - 14 SMX VST 25
150 l/min	A = 142 mm	B = 259 mm
PI 3615 - 11	PI 3615 - 11 SMX 3	PI 3615 - 14
PI 3615 - 11 MIC 10	PI 3615 - 11 SMX 6	PI 3615 - 14 SMX VST 3
PI 3615 - 11 MIC 25	PI 3615 - 11 SMX 10	PI 3615 - 14 SMX VST 6
PI 3615 - 11 DRG 40	PI 3615 - 11 SMX 25	PI 3615 - 14 SMX VST 10
PI 3615 - 11 DRG 60		PI 3615 - 14 SMX VST 25
300 l/min	A = 142 mm	B = 384 mm
PI 3630 - 11	PI 3630 - 11 SMX 3	PI 3630 - 14
PI 3630 - 11 MIC 10	PI 3630 - 11 SMX 6	PI 3630 - 14 SMX VST 3
PI 3630 - 11 MIC 25	PI 3630 - 11 SMX 10	PI 3630 - 14 SMX VST 6
PI 3630 - 11 DRG 40	PI 3630 - 11 SMX 25	PI 3630 - 14 SMX VST 10
PI 3630 - 11 DRG 60		PI 3630 - 14 SMX VST 25

filter assemblies filter option	description
-12	Optional visual indicator for -11 filter
-13	Optional visual/electrical indicator for -11 filter
-15	Optional hirshmann connector to modify visual indicator into visual/electrical indicator -14 filter



Medium/High Pressure Duplex Inline

PI 370 SERIES



- Ergonomic changeover function with safety lock and pressure compensation
- All units rated for operating pressure of 210 bar
- Visual indicator supplied as standard on all filters
- BSPP or SAE flanged porting (add/FL to part number for flanged option)

part number	part number	part number
50 l/min	A = 182 mm	B = 219 mm
PI 3705 - 12	PI 3705 - 12 SMX 3	PI 3705 - 14
PI 3705 - 12 MIC 10	PI 3705 - 12 SMX 6	PI 3705 - 14 SMX VST 3
PI 3705 - 12 MIC 25	PI 3705 - 12 SMX 10	PI 3705 - 14 SMX VST 6
PI 3705 - 12 DRG 40	PI 3705 - 12 SMX 25	PI 3705 - 14 SMX VST 10
PI 3705 - 12 DRG 60		PI 3705 - 14 SMX VST 25
80 l/min	A = 182 mm	B = 294 mm
PI 3708 - 12	PI 3708 - 12 SMX 3	PI 3708 - 14
PI 3708 - 12 MIC 10	PI 3708 - 12 SMX 6	PI 3708 - 14 SMX VST 3
PI 3708 - 12 MIC 25	PI 3708 - 12 SMX 10	PI 3708 - 14 SMX VST 6
PI 3708 - 12 DRG 40	PI 3708 - 12 SMX 25	PI 3708 - 14 SMX VST 10
PI 3708 - 12 DRG 60		PI 3708 - 14 SMX VST 25
110 l/min	A = 182 mm	B = 370 mm
PI 3711 - 12	PI 3711 - 12 SMX 3	PI 3711 - 14
PI 7611 - 12 MIC 10	PI 3711 - 12 SMX 6	PI 3711 - 14 SMX VST 3
PI 3711 - 12 MIC 25	PI 3711 - 12 SMX 10	PI 3711 - 14 SMX VST 6
PI 3711 - 12 DRG 40	PI 3711 - 12 SMX 25	PI 3711 - 14 SMX VST 10
PI 3711 - 12 DRG 60		PI 3711 - 14 SMX VST 25
150 l/min	A = 280 mm	B = 302 mm
PI 3715 - 12	PI 3715 - 12 SMX 3	PI 3715 - 14
PI 3715 - 12 MIC 10	PI 3715 - 12 SMX 6	PI 3715 - 14 SMX VST 3
PI 3715 - 12 MIC 25	PI 3715 - 12 SMX 10	PI 3715 - 14 SMX VST 6
PI 3715 - 12 DRG 40	PI 3715 - 12 SMX 25	PI 3715 - 14 SMX VST 10
PI 3715 - 12 DRG 60		PI 3715 - 14 SMX VST 25
300 l/min	A = 280 mm	B = 427 mm
PI 3730 - 12	PI 3730 - 12 SMX 3	PI 3730 - 14
PI 3730 - 12 MIC 10	PI 3730 - 12 SMX 6	PI 3730 - 14 SMX VST 3
PI 3730 - 12 MIC 25	PI 3730 - 12 SMX 10	PI 3730 - 14 SMX VST 6
PI 3730 - 12 DRG 40	PI 3730 - 12 SMX 25	PI 3730 - 14 SMX VST 10
PI 3730 - 12 DRG 60		PI 3730 - 14 SMX VST 25
450 l/min	A = 280 mm	B = 543 mm
PI 3745 - 12	PI 3745 - 12 SMX 3	PI 3745 - 14
PI 3745 - 12 MIC 10	PI 3745 - 12 SMX 6	PI 3745 - 14 SMX VST 3
PI 3745 - 12 MIC 25	PI 3745 - 12 SMX 10	PI 3745 - 14 SMX VST 6
PI 3745 - 12 DRG 40	PI 3745 - 12 SMX 25	PI 3745 - 14 SMX VST 10
PI 3745 - 12 DRG 60		PI 3745 - 14 SMX VST 25

filter assemblies filter option	description
-15	Optional hirshmann connector to modify visual indicator into visual/electrical indicator - 14 filter