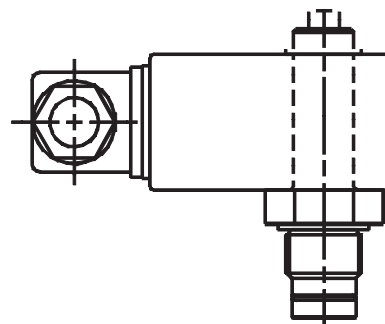


Filter Accessories

CONTAMINATION INDICATORS

- Contamination indicators are recommended for all applications to prevent unfiltered by-pass flow and excessive stress on the filter element
- Standard visual indicators are bi-stable and require physical resetting. This ensures that filters due for replacement elements are easily identified. Mono-stable switches are also available upon request
- Electrical coils are actuated by the visual indicators and are easily converted from normally open to normally closed by simple rotation
- If a visual indicator exists, a coil may be added to create a visual/electrical indicator. OLAER also recommend the use of high collapse pressure element (VST) when the filter housing is not fitted with a by-pass valve
- Filters assemblies may also be ordered including these indicators (see filter assembly price list)
- Other special application indicators are available upon request



part number	indicator type	material	actuation
low pressure			
(up to 160 bar)			
PIS 3098/2.2	bi-stable visual	aluminium	2.2 bar
PIS 3098/5.0	bi-stable visual	aluminium	5.0 bar
PIS 3098/8.0	bi-stable visual	aluminium	8.0 bar
PIS 3097/2.2	bi-stable visual/electrical	aluminium	2.2 bar
PIS 3097/5.0	bi-stable visual/electrical	aluminium	5.0 bar
PIS 3097/8.0	bi-stable visual/electrical	aluminium	8.0 bar
high pressure			
(up to 400 bar)			
PIS 3093/2.2	bi-stable visual	brass	2.2 bar
PIS 3093/5.0	bi-stable visual	brass	5.0 bar
PIS 3093/8.0	bi-stable visual	brass	8.0 bar
PIS 3092/2.2	bi-stable visual/electrical	brass	2.2 bar
PIS 3092/5.0	bi-stable visual/electrical	brass	5.0 bar
PIS 3092/8.0	bi-stable visual/electrical	brass	8.0 bar
tank top			
(up to 10 bar)			
PIS 3084/2.2	bi-stable visual	polycarbonate	2.2 bar
PIS 3085/2.2 DSS / DSO	bi-stable visual/electrical pressure switch (1.2, 2.2 or 5 bar)	polycarbonate	2.2 bar
electrical coils			
7536550	standard indicator coil	plastic	by visual indicator