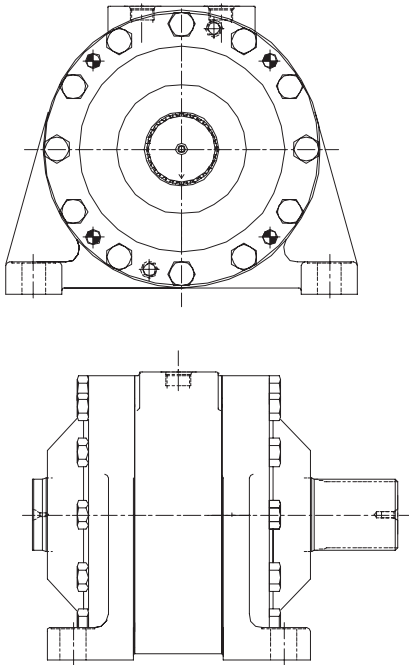


# Rotary Actuators

## SS SERIES - HS SERIES



- Standard high pressure range with solid shaft (SS) or hollow shaft (HS) configuration.
- Extremely compact design using vane type actuator technology.
- High torque output with input pressures up to 210 Bar
- Multiple configuration options (standard configurations with end mounting listed below). Others available upon request to suit many applications.
- Single vane rotation of 280° and double vane rotation of 100°. Due to minimised size, internal stops are impractical and external stops must be fitted.
- Medium Pressure (MP) model and high pressure heavy duty (26R) model available upon request.
- Vane design limits the ability of these units to hold loads without support due to internal leakage past the vane seal

### SS SOLID SHAFT MODELS

part number	torque at 210 bar (Nm)	mass (kg)
SS1-1V-E-B-A-A-2	366	10
SS1-2V-E-B-A-A-2	773	10
SS4-1V-E-B-A-A-2	1164	23
SS4-2V-E-B-A-A-2	2452	23
SS8-1V-E-B-A-A-2	2440	35
SS12-1V-E-B-A-A-2	3798	55
SS12-2V-E-B-A-A-2	8019	57

### HS HOLLOW SHAFT MODELS

part number	torque at 210 bar (Nm)	mass (kg)
HS1.5-1V-E-B-A-A-2	438	13
HS2.5-1V-E-B-A-A-2	763	15.5
HS4-1V-E-B-A-A-2	1220	19
HS6-1V-E-B-A-A-2	1939	26.5
HS6-2V-E-B-A-A-2	4096	31
HS10-1V-E-B-A-A-2	2915	30.5
HS10-2V-E-B-A-A-2	6143	35
HS15-1V-E-B-A-A-2	4577	38
HS15-2V-E-B-A-A-2	1 at 140 Ba	3