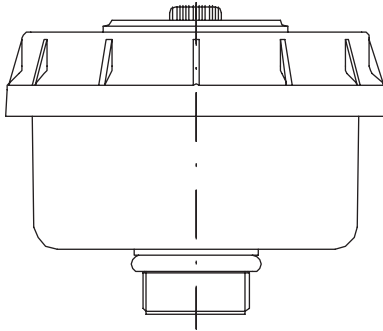




# Reservoir Breathers

## PI 01 SERIES



- Tank top filler breather air filters for hydraulic reservoirs with minimised pressure drop from standard 10 $\mu$  (MIC) and 3 $\mu$  (SM-L) filters
- Air flow values listed below are based on 0.01 bar pressure drop
- PI 014, 015 & 018 series have an optional oil vapour (MOL) filter available upon request as well as visual & electrical contamination indicators

connection	part number	air flow	part number	air flow
<b>PI 010 SERIES</b>				
M12 x 1.5	PI 0101 MIC	60 l/min	PI 0101 SM-L	55 l/min
G $\frac{1}{4}$	PI 0102 MIC	60 l/min	PI 0102 SM-L	55 l/min
<b>filter elements</b>	852 514 MIC	(box of 3)	852 514 SM-L	(box of 3)
<b>PI 011 SERIES</b>				
M16 x 1.5	PI 0110 MIC	100 l/min	PI 0110 SM-L	90 l/min
M22 x 1.5	PI 0111 MIC	110 l/min	PI 0111 SM-L	100 l/min
G $\frac{1}{2}$	PI 0112 MIC	110 l/min	PI 0112 SM-L	100 l/min
G	PI 0113 MIC	100 l/min	PI 0113 SM-L	90 l/min
G $\frac{3}{4}$	PI 0114 MIC	120 l/min	PI 0114 SM-L	110 l/min
<b>filter elements</b>	852 507 MIC	(box of 3)	852 507 SM-L	(box of 3)
<b>PI 012 SERIES</b>				
M33 x 2	PI 0120 MIC	1000 l/min	PI 0120 SM-L	900 l/min
G1	PI 0121 MIC	1000 l/min	PI 0121 SM-L	900 l/min
Ø 25 (DIN 7500)	PI 0122 MIC	1000 l/min	PI 0122 SM-L	900 l/min
Ø 40 (DIN 7500)	PI 0123 MIC	1500 l/min	PI 0123 SM-L	1300 l/min
Ø 73 (DIN 7500)	PI 0125 MIC	1600 l/min	PI 0125 SM-L	1400 l/min
Ø 73 (DIN 7500)	PI 0126 MIC	1350 l/min	PI 0126 SM-L	1150 l/min
<b>filter elements</b>	852 519 MIC	(box of 3)	852 519 SM-L	(box of 3)
<b>PI 014 SERIES</b>				
Ø40 (socket)	PI 0140 MIC	2000 l/min	PI 0140 SM-L	1700 l/min
Ø52 (socket)	PI 0142 MIC	2400 l/min	PI 0142 SM-L	2000 l/min
<b>filter elements</b>	852 621 MIC	(box of 3)	852 621 SM-L	(box of 3)
<b>PI 015 SERIES</b>				
Ø 70 (socket)	PI 0152 MIC	5300 l/min	PI 0152 SM-L	4200 l/min
Ø 76 (socket)	PI 0153 MIC	6300 l/min	PI 0153 SM-L	4600 l/min
Ø 80 (socket)	PI 0154 MIC	7700 l/min	PI 0154 SM-L	5200 l/min
<b>filter elements</b>	852 516 MIC	(box of 2)	852 516 SM-L	(box of 2)
<b>PI 018 SERIES</b>				
Ø 70 (socket)	PI 0182 MIC	5300 l/min	PI 0182 SM-L	4200 l/min
Ø 76 (socket)	PI 0183 MIC	6300 l/min	PI 0183 SM-L	4600 l/min
Ø 80 (socket)	PI 0184 MIC	7700 l/min	PI 0184 SM-L	5200 l/min
Ø 80 (socket)	PI 0185 MIC	7700 l/min	PI 0185 SM-L	5200 l/min
<b>filter elements</b>	852 822 MIC	(box of 1)	852 822 SM-L	(box of 1)