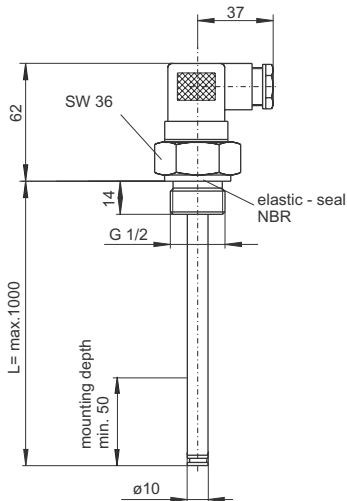


Reservoir Temperature Probes

T SERIES

Temperature sensor TF

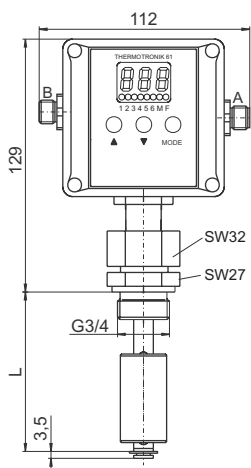


- Temperature probe with G1/2 connection
- Temperature switches available in 50, 55, 60, 70, 80 or 90°C normally open (NO) or normally closed (NC). Switches have 20°C hysteresis (TSA-10°C)
- Standard probe length of 370mm (excluding TSA)

part number	application	temperature
TSA-TS	super compact	1 switch
TSM-1-370-TS	–	1 switch
TSM-2-370-2TS	–	2 switches
TF-M-370	5 bar	PT 100 signal
TF-E-370	10 bar	PT 100 signal
TMK2-370	–	4-20mA

THERMOTRONIK SERIES

Electronic temperature sensor
Thermotronic 61 (mounting tank top)



- Reservoir temperature probes offering continuous temperature display and adjustable switching points
- Thermotronic M (TM) offers continual LED display
- Thermotronic 6 (T6) offers LCD display of temperature
- Standard probe length of 370mm
- Switching temperatures easily set from display unit

part number	mounting	temperature
1410199-370	remote	2 adjustable
1410299-370	remote	4 adjustable
1410399-370	remote	6 adjustable
1410599-370	probe	4 adjustable
1410699-370	probe	6 adjustable

standard lengths 520mm 670mm 820mm 970mm 1100mm